

**MODIFICATION BULLETIN CORRECTION**

**ISSUED ON: August 31, '91**

**Model :** Cassete Bank for F30 and F31 Cassete Bank Section

**MB No. :** 10      **Issued on:** August 31, '88      **Page :** 1 of 3

The following item(s) is(are) mentioned by mistake. Please replace the MB with the new one.

1. Part Number, Description, Page Number, Index Number, Interchangeability and/or Quantity Correction

Incorrect

OLD PARTS NO.	NEW PARTS NO.	DESCRIPTION	Q'TY USED OLD → NEW	INTER-CHANGE-ABILITY		PART CATALOG	
						INDEX NO.	PAGE
58961115		Caster - Cassete Bank					
	→ 54151053	Caster	4 - 4	X/X		24	7
					for SVN	24	65

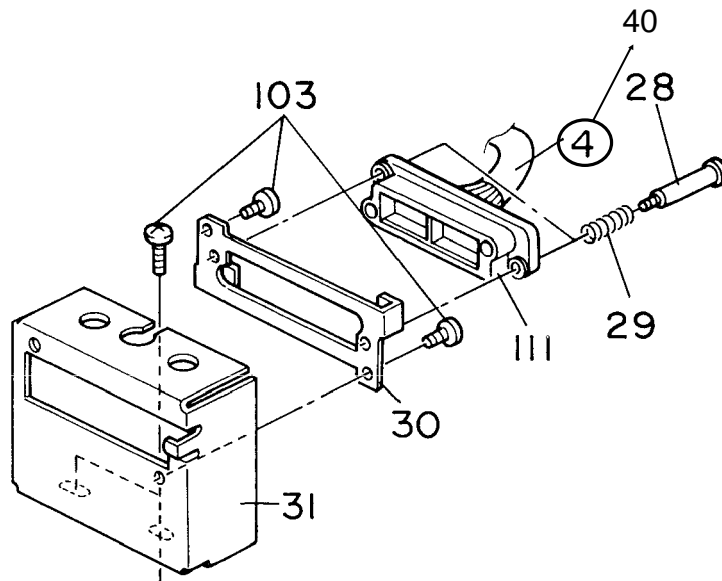
Correct

OLD PARTS NO.	NEW PARTS NO.	DESCRIPTION	Q'TY USED OLD → NEW	INTER-CHANGE-ABILITY		PART CATALOG	
						INDEX NO.	PAGE
58961115		Caster - Cassete Bank					
	→ 54151053	Caster	4 - 4	X/X		24	7 (65)
03150080W		Philips Pan Head Screw - M5 x 8	12 - 0	X/		104	7( 65)
	→ 03160100W	Philips Pan Head Screw - M6 x 10	0 - 12	/X	( ) : for SAVIN	104	7( 65)

T. Ito, Manager  
Copier Technical Support

<b>Model</b>	Paper Bank for F30/33/34 and F31 Paper Bank Section	<b>Volt/Hz</b>	<b>Date of Modification</b>	<b>Serial Number</b>
<b>Modified Article</b>	Parts Catalog			
<b>Reason for Modification</b>	Parts catalog correction			

Please correct your parts catalog as follows:



Part No.	Description	New Index No.	Page
A4205273	Vertical Transport Harness	40	7 (65)

( ) for Savin F31

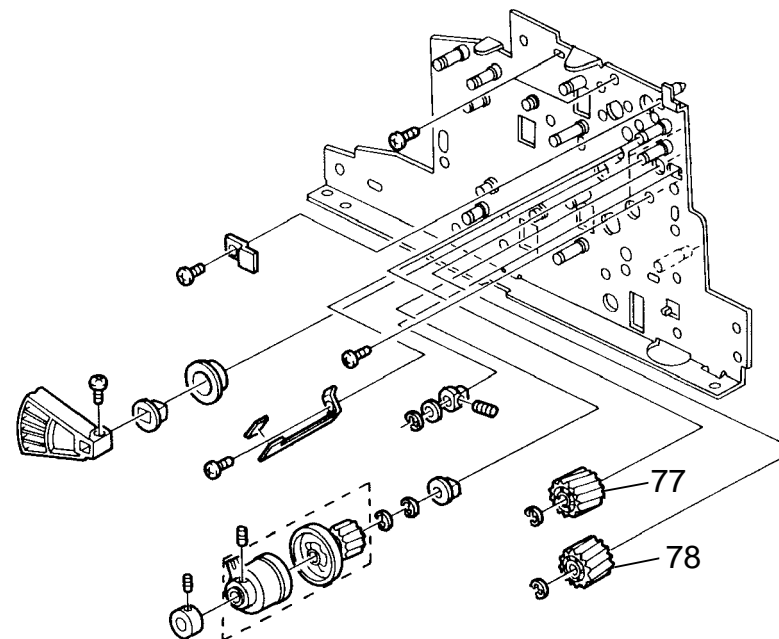
T. Ito, Manager  
Copier Technical Support

MODEL NAME	V/Hz	DESTINATION	JAPAN PRODUCTION		REI PRODUCTION	
			CODE	SERIAL NUMBER	CODE	SERIAL NUMBER
SAVIN 7430 C.B.	115/60	USA, CANADA	A420 - 15			
NASHUA CB - 150	115/60	S. AMERICA etc.	A420 - 16			
RICOH PS220	115/60	USA, CANADA	A420 - 17			
NASHUA CB - 150	220,240/50	EUROPE etc.	A420 - 25			
KALLE CB3 48	220,240/50	EUROPE	A420 - 26			
RICOH PS220	220,240/50	EOROPE etc.	A420 - 27			
INFOTEC CB4	220,240/50	EUROPE	A420 - 66			
P.B. D750	115/60	USA, CANADA	A019 - 11			
SAVIN 7500	115/60	USA, CANADA	A019 - 15		A019 - 07	
NASHUA 7150C	115/60	S. AMERICA etc.	A019 - 16			
RICOH FT6620	115/60	USA, CANADA	A019 - 17		A019 - 06	
NASHUA 7150C	220,240/50	EOROPE etc.	A019 - 25			
INFOTEC 9052DZ	220,240/50	EOROPE	A019 - 26			
RICOH FT6620	220,240/50	EOROPE etc.	A019 - 27	202008XXXX		
RICOH FT6620	220,240/50	ASIA, etc.	A019 - 29	202008XXXX		

<b>Model</b>	Paper Bank for F30/33/34 and F31 Paper Bank Section	<b>Volt/Hz</b>	<b>Date of Modification</b>	<b>Serial Number</b>
<b>Modified Article</b>	Parts Catalog			
<b>Reason for Modification</b>	Parts catalog correction			

Please correct your parts catalog as follows:  
Addition Page 11.

P/N	Description	Q'ty	Index No.
AB013096	Right Gear - 20T	1	77
AB013097	Left Gear - 20T	1	78



T .Ito, Manager  
Copier Technical Support

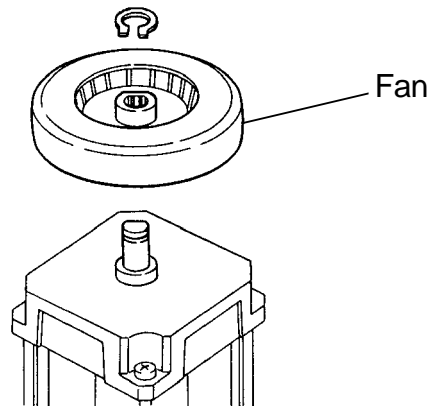
MODEL NAME	V/Hz	DESTINATION	JAPAN PRODUCTION		REI PRODUCTION	
			CODE	SERIAL NUMBER	CODE	SERIAL NUMBER
SAVIN 7430 C.B.	115/60	USA, CANADA	A420 - 15			
NASHUA CB - 150	115/60	S. AMERICA etc.	A420 - 16			
RICOH PS220	115/60	USA, CANADA	A420 - 17			
NASHUA CB - 150	220,240/50	EUROPE etc.	A420 - 25			
KALLE CB3 48	220,240/50	EUROPE	A420 - 26			
RICOH PS220	220,240/50	EUROPE etc.	A420 - 27			
INFOTEC CB4	220,240/50	EUROPE	A420 - 66			
P.B. D750	115/60	USA, CANADA	A019 - 11			
SAVIN 7500	115/60	USA, CANADA	A019 - 15		A019 - 07	
NASHUA 7150C	115/60	S. AMERICA etc.	A019 - 16			
RICOH FT6620	115/60	USA, CANADA	A019 - 17		A019 - 06	
NASHUA 7150C	220,240/50	EUROPE etc.	A019 - 25			
INFOTEC 9052DZ	220,240/50	EUROPE	A019 - 26			
RICOH FT6620	220,240/50	EUROPE etc.	A019 - 27			
RICOH FT6620	220,240/50	ASIA, etc.	A019 - 29			

<b>Model</b>	Paper Bank for F30, F33/34	<b>Volt/Hz</b>	<b>Date of Modification</b>	<b>Serial Number</b>
<b>Modified Article</b>	Fan			
<b>Reason for Modification</b>	As per field request			

As per field request the following parts have been registered as a service parts.

P/N	Description	Q'ty	Index No.	Page
A0075894	Fan - Paper Feed Motor	1	* 38	9

\* New Index No.



T. Ito, Manager  
Copier Technical Support

MODEL NAME	V/Hz	DESTINATION	JAPAN PRODUCTION		REI PRODUCTION	
			CODE	SERIAL NUMBER	CODE	SERIAL NUMBER
SAVIN 7430 C.B.	115/60	USA, CANADA	A420 - 15			
NASHUA CB - 150	115/60	S. AMERICA etc.	A420 - 16			
RICOH PS220	115/60	USA, CANADA	A420 - 17			
NASHUA CB - 150	220,240/50	EUROPE etc.	A420 - 25			
KALLE CB3 48	220,240/50	EUROPE	A420 - 26			
RICOH PS220	220,240/50	EUROPE etc.	A420 - 27			
INFOTEC CB4	220,240/50	EUROPE	A420 - 66			
P.B. D750	115/60	USA, CANADA	A019 - 11			
SAVIN 7500	115/60	USA, CANADA	A019 - 15		A019 - 07	
NASHUA 7150C	115/60	S. AMERICA etc.	A019 - 16			
RICOH FT6620	115/60	USA, CANADA	A019 - 17		A019 - 06	
NASHUA 7150C	220,240/50	EUROPE etc.	A019 - 25			
INFOTEC 9052DZ	220,240/50	EUROPE	A019 - 26			
RICOH FT6620	220,240/50	EUROPE etc.	A019 - 27	202008XXXX		
RICOH FT6620	220,240/50	ASIA, etc.	A019 - 29	202008XXXX		

<b>Model</b>	Paper Bank for F30, F33/34 and F31 Paper Bank Section	<b>Volt/Hz</b>	<b>Date of Modification</b>	<b>Serial Number</b>
<b>Modified Article</b>	Spacer			
<b>Reason for Modification</b>	To minimize the number of paper feed jams at the E position (the cassette bank).			

Old P/N	New P/N	Description	Q'ty	Interchangeability	Index No.	Page
08074116	07010060B	Spacer - M6	1	X/O	118	11 (69)

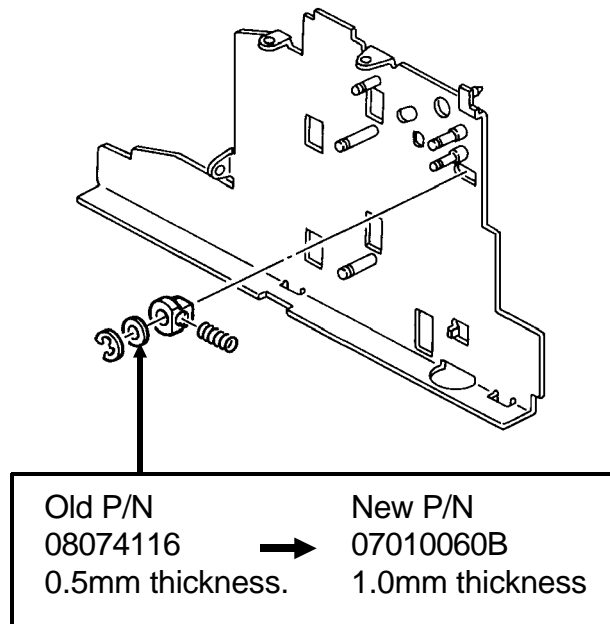
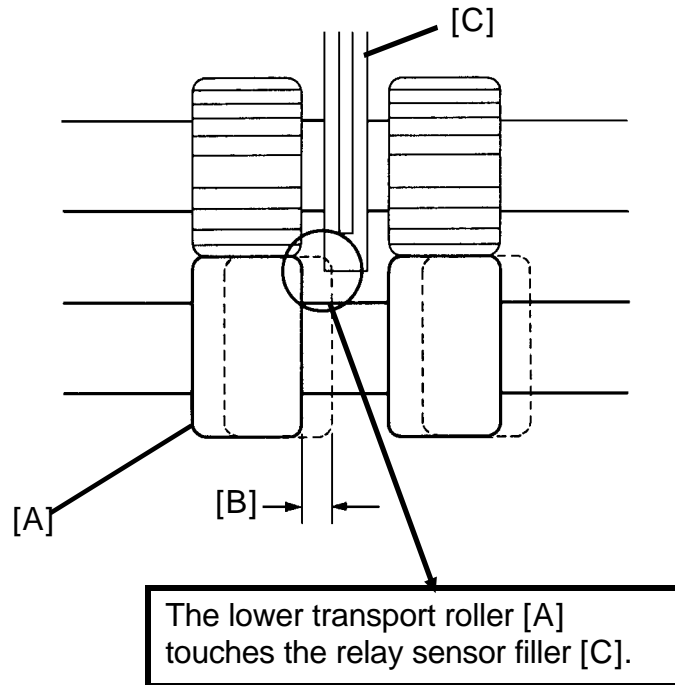
( ) for SAVIN F31



**DETAILS OF MODIFICATION**

The lower transport roller [A] has excessive thrust play [B]. Because of this, the roller may touch the relay sensor feeler [C], causing a misfeed detection and lighting misfeed location indicator E on the operation panel.

To adjust the thrust play, we have changed the 0.5mm thick spacer to a 1.0mm thick spacer. This insures the thrust play will not exceed 1.0mm.



T. Ito, Manager  
Copier Technical Support

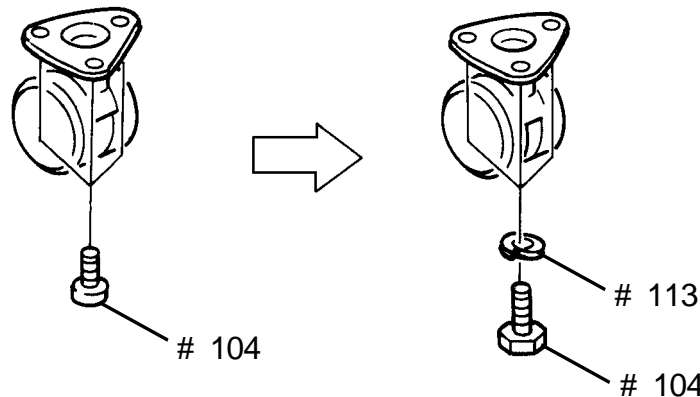
MODEL NAME	V/Hz	DESTINATION	JAPAN PRODUCTION		REI PRODUCTION	
			CODE	SERIAL NUMBER	CODE	SERIAL NUMBER
SAVIN 7430 C.B.	115/60	USA, CANADA	A420 - 15	308105XXXX		
NASHUA CB - 150	115/60	S. AMERICA etc.	A420 - 16	032105XXXX		
RICOH PS220	115/60	USA, CANADA	A420 - 17	42105XXXXX		
NASHUA CB - 150	220,240/50	EUROPE etc.	A420 - 25	032105XXXX		
KALLE CB3 48	220,240/50	EUROPE	A420 - 26	362051XXXX		
RICOH PS220	220,240/50	EOROPE etc.	A420 - 27	4210407307		
INFOTEC CB4	220,240/50	EUROPE	A420 - 66	389051XXXX		
P.B. D750	115/60	USA, CANADA	A019 - 11	1040117		
SAVIN 7500	115/60	USA, CANADA	A019 - 15	94105XXXXX	A019 - 07	
NASHUA 7150C	115/60	S. AMERICA etc.	A019 - 16	036107XXXX		
RICOH FT6620	115/60	USA, CANADA	A019 - 17	202107XXXX	A019 - 06	
NASHUA 7150C	220,240/50	EOROPE etc.	A019 - 25	036105XXXX		
INFOTEC 9052DZ	220,240/50	EOROPE	A019 - 26	366071XXXX		
RICOH FT6620	220,240/50	EOROPE etc.	A019 - 27	202105XXXX		
RICOH FT6620	220,240/50	ASIA, etc.	A019 - 29	202107XXXX		

<b>Model</b>	Cassette Bank for F30 and F31 Cassette Bank Section	<b>Volt/Hz</b>	<b>Date of Modification</b>	<b>Serial Number</b>
<b>Modified Article</b>	Philips Pan Head Screw - M6 x 10			
<b>Reason for Modification</b>	To ensure that the fixing screws for the paper bank caster do not loosen while the machine is being moved.			

When the machine is moved, the fixing screws for the paper bank caster sometimes loosen due to excessive vibration. Therefore, casters have been fixed to the hexagon bolts and spring washers instead of philips pan head screws.

Old Parts No.	New Part No.	Description	Q'ty Used Old → New	Interchangeability		Index No.	Page
03160100W		Philips Pan Head Screw - M6 x 10	12 → 0	X/	as a set O/O	104	7 (65)
	05860100E	Hexagon Bolt - M6 x 10	0 → 12	/X		104	7 (65)
	07030060E	Spring Washer - M6	0 → 12	/X		* 113	7 (65)

( ) for SAVIN  
\* New Index



T. Ito, Manager  
Copier Technical Support

MODEL NAME	V/Hz	DESTINATION	JAPAN PRODUCTION		REI PRODUCTION	
			CODE	SERIAL NUMBER	CODE	SERIAL NUMBER
SAVIN 7430 C.B.	115/60	USA, CANADA	A420 - 15	3081080203		
NASHUA CB - 150	115/60	S. AMERICA etc.	A420 - 16	032109XXXX		
RICOH PS220	115/60	USA, CANADA	A420 - 17	4210808125		
NASHUA CB - 150	220,240/50	EUROPE etc.	A420 - 25	0321070001		
KALLE CB3 48	220,240/50	EUROPE	A420 - 26	362091XXXX		
RICOH PS220	220,240/50	EUROPE etc.	A420 - 27	4210707932		
INFOTEC CB4	220,240/50	EUROPE	A420 - 66	3890710001		
P.B. D750	115/60	USA, CANADA	A019 - 11	109XXXX		
SAVIN 7500	115/60	USA, CANADA	A019 - 15	94109XXXXX	A019 - 07	
NASHUA 7150C	115/60	S. AMERICA etc.	A019 - 16	036109XXXX		
RICOH FT6620	115/60	USA, CANADA	A019 - 17	202109XXXX	A019 - 06	
NASHUA 7150C	220,240/50	EUROPE etc.	A019 - 25	366109XXXX		
INFOTEC 9052DZ	220,240/50	EUROPE	A019 - 26	366109XXXX		
RICOH FT6620	220,240/50	EUROPE etc.	A019 - 27	202107XXXX		
RICOH FT6620	220,240/50	ASIA, etc.	A019 - 29	202108XXXX		

<b>Model</b>	Paper Bank for F30, F33/34 and F31 Paper Bank Section	<b>Volt/Hz</b>	<b>Date of Modification</b>	<b>Serial Number</b>
<b>Modified Article</b>	LED Sensor Type - T			
<b>Reason for Modification</b>	Due to parts standardization			

Due to parts standardization with the other models, the following part has been changed. Interchangeability is O/O.

Old P/N	New P/N	Description	Q'ty Used	Parts Catalog	
				Index No.	Page
52055251	AW020041	LED Sensor Type - T Photointerruptor	1 — 1	18	5
			1 — 1	12	9
			1 — 1	32	11
			1 — 1	49	13
			1 — 1	53	13

S. Hamano, Assistant General Manager  
 Technical Support Department

MODEL NAME	V/Hz	DESTINATION	JAPAN PRODUCTION		REI PRODUCTION	
			CODE	SERIAL NUMBER	CODE	SERIAL NUMBER
SAVIN 7430 C.B.	115/60	USA, CANADA	A420 - 15			
NASHUA CB - 150	115/60	S. AMERICA etc.	A420 - 16			
RICOH PS220	115/60	USA, CANADA	A420 - 17			
NASHUA CB - 150	220,240/50	EUROPE etc.	A420 - 25			
KALLE CB3 48	220,240/50	EUROPE	A420 - 26			
RICOH PS220	220,240/50	EUROPE etc.	A420 - 27			
INFOTEC CB4	220,240/50	EUROPE	A420 - 66			
P.B. D750	115/60	USA, CANADA	A019 - 11			
SAVIN 7500	115/60	USA, CANADA	A019 - 15		A019 - 08	
NASHUA 7150C	115/60	S. AMERICA etc.	A019 - 16			
RICOH FT6620	115/60	USA, CANADA	A019 - 17		A019 - 06	
NASHUA 7150C	220,240/50	EUROPE etc.	A019 - 25			
INFOTEC 9052DZ	220,240/50	EUROPE	A019 - 26			
RICOH FT6620	220,240/50	EUROPE etc.	A019 - 27			
RICOH FT6620	220,240/50	ASIA, etc.	A019 - 29			